

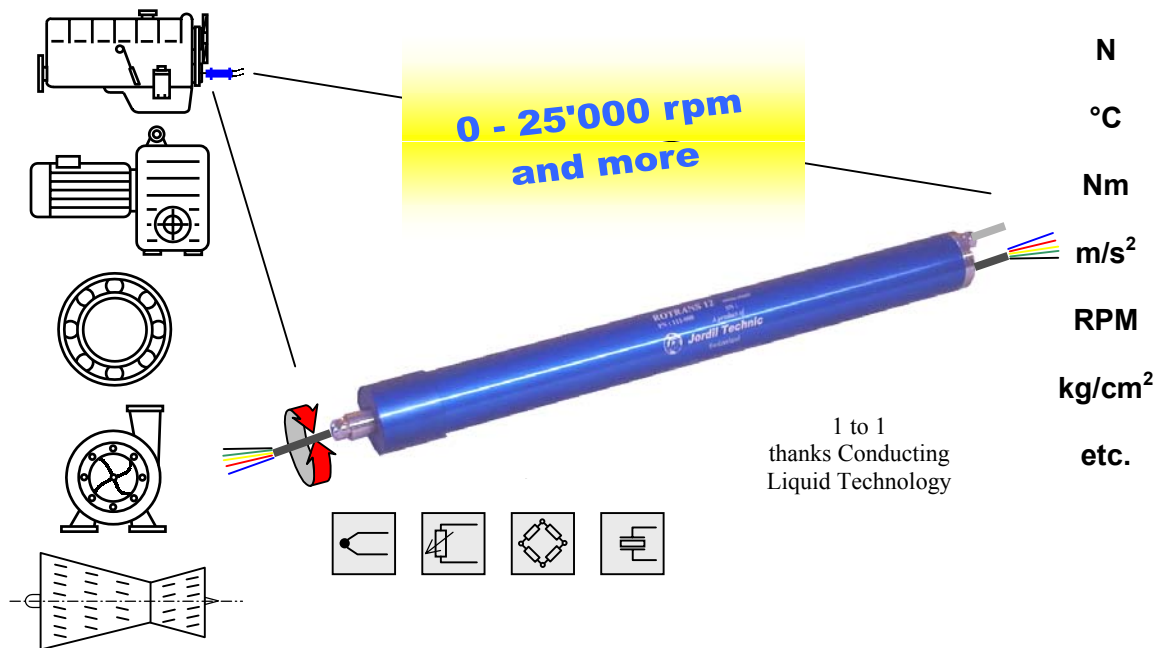
Distributed by

# ROTRANS

## Rotary signal transmitters

SWISS MADE

➔ R & D  
➔ Labo



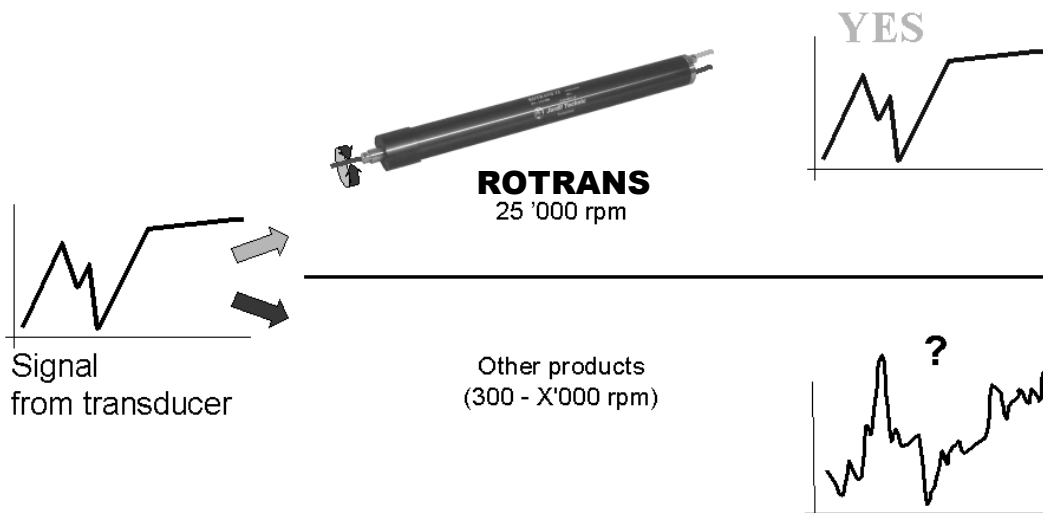
- 18, 24, 30 channels (wires)
- 0 - 25'000 min<sup>-1</sup> and more
- $\Delta R_{(0-10'000rpm)}$  : 0,15 mΩ
- Very low inertia
- Integrated speed pick-up (Optional)
- IP 51 (IP 68)
- Slippingless
- Arc-free
- 4, 8, 12 channels (wires) (separate datasheet)

The Rotational Transmitter **ROTRANS** has been designed for transmitting signals from the inside of a rotating system to an external Signal Processing Device. In parallel **ROTRANS** is able to transmit supplying energy into the rotating system.

One of the most significant features of **ROTRANS** is the unique electric conductivity which allows reliable and distortionfree transmission of electric signals. Due to the sophisticated design the device can be operated with extremely low noises and wear-resistant. ROTRANS will not be affected by magnetic fields and is easy to operate. Even because of the low space consumption and high precision performance **ROTRANS** is the ideal partner for Research and Development.

Please let us know your specific needs. We are looking forward to discussing your application with you !

# HIGH FIDELITY TRANSMISSION ?



## Description

The rotary transmitters **ROTRANS** from **Jordil Technic** could be used to transmit excitation power to these devices in addition to transmitting the measuring signal from them.

**ROTRANS** help you to:

- Improve the products **performances**
- Improve the product **reliability**
- Reduce the production **costs**

The input and output cables are screened to be protected against electromagnetic disturbances.

**ROTRANS** is in conformity with RoHS and WEEE directive.

## Performances

It is with a concept using high-tech added components from high quality level that users can benefit from so interesting characteristics.

The speed range up to 25'000 min<sup>-1</sup> can reach higher speed according conditions.

**ROTRANS** is an arc-free transmitter.

They are exceptionally well suited for the transmission of electrical signals from :

- Thermocouples
- Strain-gauges
- Oscillation pick-ups
- Accelerometers
- Pressure transducers
- Etc.

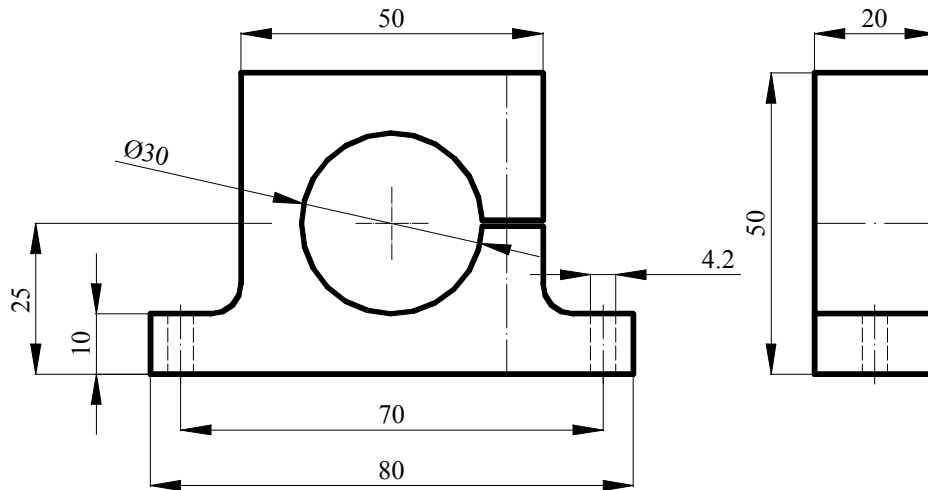
In addition to that, the **ROTRANS** as an **integrated speed pick-up**, as option.

The use of **ROTRANS** is easy like a cable, without keyboard, without parameters and without power supply or batteries.

Like you see, **ROTRANS** is superior to all rotary transmitters using rings, sliprings, brushes and similar devices.

The Continuous Product Improvement (CPI) by design, production, assembly and services is one of our main task.





Bracket : 100-100

### Ordering information


Type	Description	PN
ROTRANS 18-R	18 Channels rotary signal transmitter	118 - 000
ROTRANS 18-R-SM	18 Channels rotary signal transmitter, with integrated speed pick-up	118 - 000 - SM
ROTRANS 24-R	24 Channels rotary signal transmitter	124 - 000
ROTRANS 24-R-SM	24 Channels rotary signal transmitter, with integrated speed pick-up	124 - 000 - SM
ROTRANS 30-R	30 Channels rotary signal transmitter	130 - 000
ROTRANS 30-R-SM	30 Channels rotary signal transmitter, with integrated speed pick-up	130 - 000 - SM
ROTRANS 4, 8, 12	ROTRANS 4, 8, 12 Channels, up to 42'000 rpm (separate datasheet)	
ROTRANS-W	Wheel mounting, automotive industry (separate datasheet)	

#### Accessories

Bracket	1 Pair of mounting brackets for ROTRANS (necessary to meet ROTRANS mounting requirements)	100 - 100
Coupling	Flexible coupling (separate datasheet)	
Encoder	By ROTRANS axle mounted (separate datasheet)	

#### Servicing

Servicing	Rotary signal transmitters. <b>All types and all marks.</b>	On offer
-----------	--	----------

 Due to the continual development of our products, the specification may be modified without forewarning.

Jordil Technic Sàrl, Rue de l'Eglise 11, CH-1695 Estavayer-le-Gibloux, [www.rotrans.ch](http://www.rotrans.ch) Tel : +41 26-411 30 20  
e-mail : [info@jordil-technic.com](mailto:info@jordil-technic.com) Fax : +41 26-411 30 96

© Jordil Technic / 118-000 / 07.10 / E