

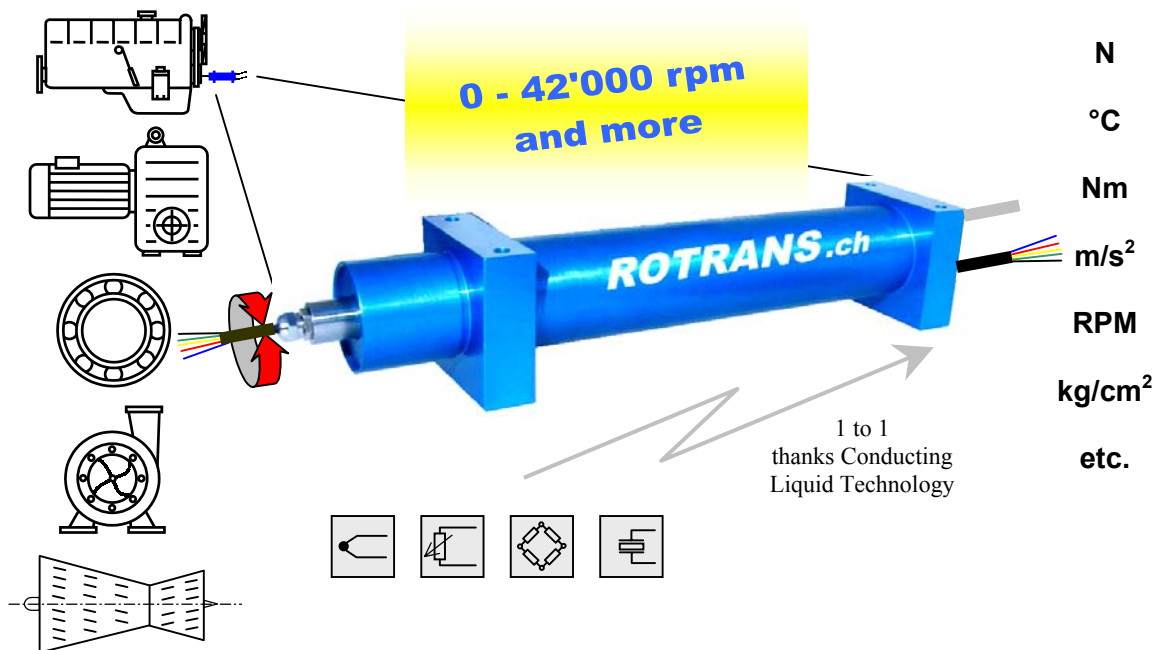
Distributed by

# ROTRANS™

Rotary signal transmitters

SWISS MADE

➔ R & D  
➔ Labo



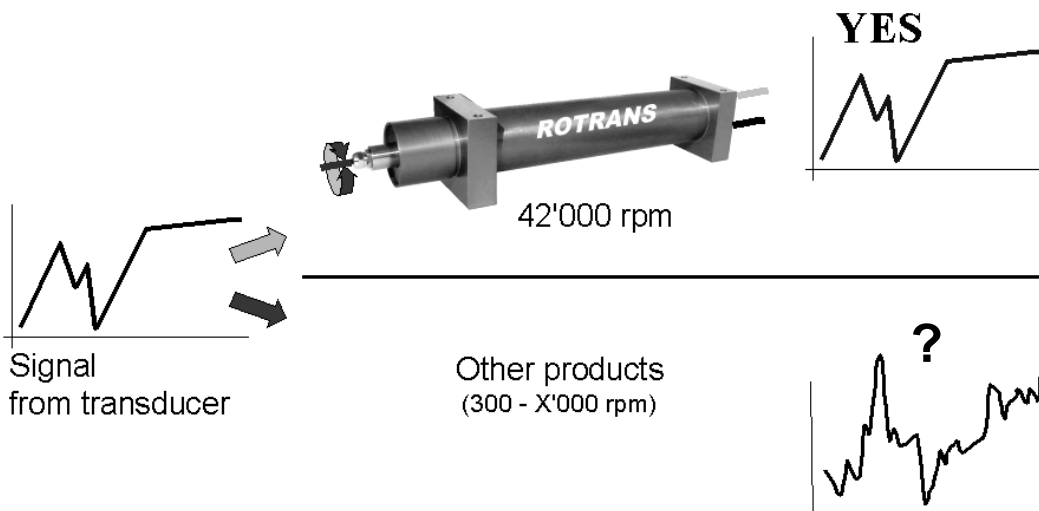
- 42'000 rpm
- $\Delta R_{(0-20'000rpm)} : 0,25 \text{ m}\Omega$
- 4, 8 or 12 channels (wires)
- Very low inertia
- Integrated speed pick-up (Optional)
- IP 51 (IP 68)
- Slipringless
- Arc-free
- 18, 24, 30 channels (wires) (separate datasheet)

The Rotational Transmitter **ROTRANS** has been designed for transmitting signals from the inside of a rotating system to an external Signal Processing Device. In parallel **ROTRANS** is able to transmit supplying energy into the rotating system.

One of the most significant features of **ROTRANS** is the unique electric conductivity, which allows reliable and distortionfree transmission of measurement signals. Due to the sophisticated design the device can be operated with extremely low noises and wear-resistant. **ROTRANS** will not be affected by magnetic fields and is easy to operate. Even because of the low space consumption and high precision performance and long lifetime, **ROTRANS** is the ideal partner for Research and Development.

Please let us know your specific needs. We are looking forward to discussing your application with you !

# HIGH FIDELITY TRANSMISSION ?



**ROTRANS** is in conformity with RoHS and WEEE directive.

## Description

The rotary transmitters **ROTRANS** from **Jordil Technic** could be used to transmit excitation power to these devices in addition to transmitting the measuring signal from them.

**ROTRANS** help you to:

- Improve the products **performances**
- Improve the product **reliability**
- Reduce the production **costs**

The input and output cables are screened to be protected against electromagnetic disturbances.

**ROTRANS** is in conformity with RoHS and WEEE directive.

They are exceptionally well suited for the transmission of electrical signals from :

- Thermocouples
- Strain-gauges
- Oscillation pick-ups
- Accelerometers
- Pressure transducers
- Etc.

In addition to that, the **ROTRANS** as an **integrated speed pick-up**, as option.

The use of **ROTRANS** is easy like a cable, without keyboard, without parameters and without power supply or batteries.

## Performances

It is with a concept using high-tech added components from high quality level that users can benefit from so interesting characteristics.

The speed range up to 42'000 min<sup>-1</sup> can reach higher speed according conditions.

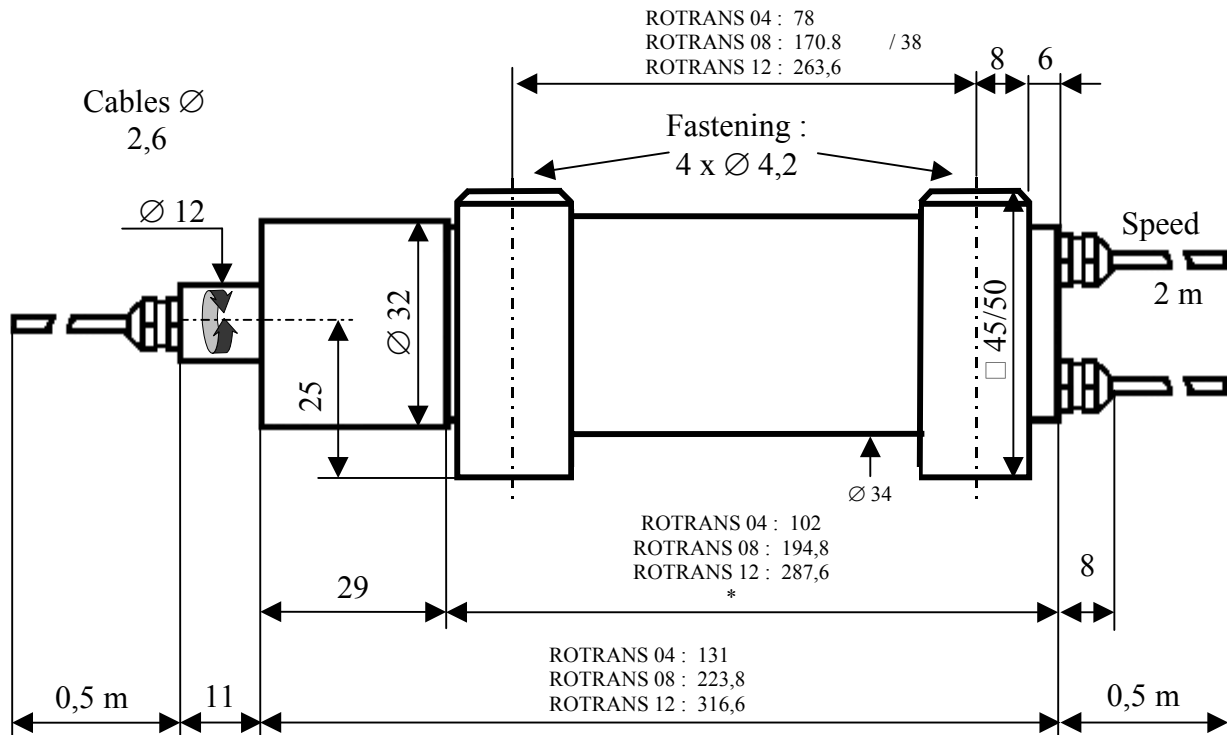
**ROTRANS** is an arc-free transmitter.

Like you see, **ROTRANS** is superior to all rotary transmitters using rings, sliprings, brushes and similar devices.

The Continuous Product Improvement (CPI) by design, production, assembly and services is one of our main task.

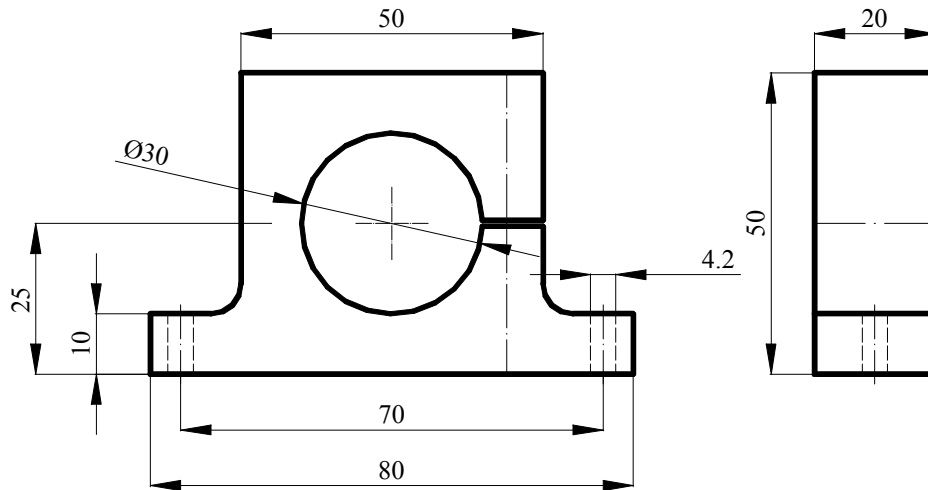
**ROTRANS**: Easy to use and reliable  
just like a cable

## Dimensions (mm)



## Technical data

Speed ranges	42'000 min <sup>-1</sup>
Number of channels	4, 8 or 12 wires, other on request
Conductibility	Between 0 and 20'000 min <sup>-1</sup> , for 2 cells in series, 0,5 mΩ resistance variation
Insulation resistance	More than 2 x 10 <sup>8</sup> Ω for two adjacent cells
Load voltage	75 V DC or 50 V AC between two cells or between cell and transmitter housing (more on request)
Load current	Maximum 0,3 A per cell, 0,4 A if only 1 cell (more on request)
IP Specification	IP 51, (available : IP 68)
Temperature range	- 25 to + 60 °C (for other temperature, please contact us)
Connections (In/Out)	Cable for input and output : 0,5 m, screened
Cable temperature	< 70 °C; without external black insulation : 200 °C
Inertia	04: 1,52 <sup>E-6</sup> kgm <sup>2</sup> , 08: 1,57 <sup>E-6</sup> kgm <sup>2</sup> , 12: 1,61 <sup>E-6</sup> kgm <sup>2</sup>
Speed pick-up output (optional)	4'200 Hz for 42'000 min <sup>-1</sup> ; supply : 10 - 30 VDC, output : ~ U <sub>alim</sub> - 2VDC, I ≤ 100 mA, 6 impulses / round
Weight	04 : 480g, 04-R : 400g, 08 : 800g, 08-R : 600g, 12 : 1100g, 12-R : 800g



Bracket : 100-100 for (-R) Type

### Ordering information

\* With (-R) after Type and PN, this part is cylindrical :  $\varnothing 30$


Type	Description	PN
ROTRANS 04	4 Channels rotary signal transmitter	104 - 000
ROTRANS 04 SM	4 Channels rotary signal transmitter, with integrated speed pick-up	104 - 000 - SM
ROTRANS 08	8 Channels rotary signal transmitter	108 - 000
ROTRANS 08 SM	8 Channels rotary signal transmitter, with integrated speed pick-up	108 - 000 - SM
ROTRANS 12	12 Channels rotary signal transmitter	112 - 000
ROTRANS 12 SM	12 Channels rotary signal transmitter, with integrated speed pick-up	112 - 000 - SM
ROTRANS 18-30	18, 24, 30 Channels (separate datasheet)	
ROTRANS-W	Wheel mounting, automotive or industry (separate datasheet)	

### Accessories

Bracket	1 Pair of mounting brackets for ROTRANS type -R (necessary to meet ROTRANS mounting requirements)	100 - 100
Coupling	Flexible coupling (separate datasheet)	
Encoder	By ROTRANS axle mounted (separate datasheet)	

### Servicing

Servicing	Rotary signal transmitters. <b>All types and all marks.</b>	On offer
-----------	----------------------------------------------------------------	----------

 Due to the continual development of our products, the specification may be modified without forewarning.

Jordil Technic Sàrl, Rue de l'Eglise 11, CH-1695 Estavayer-le-Gibloux, [www.rotrans.ch](http://www.rotrans.ch) Tel : +41 26-411 30 20  
e-mail : [info@jordil-technic.com](mailto:info@jordil-technic.com) Fax : +41 26-411 30 96

© Jordil Technic / 104-002 / 07.10 / E